



ASSEMBLY INSTRUCTION

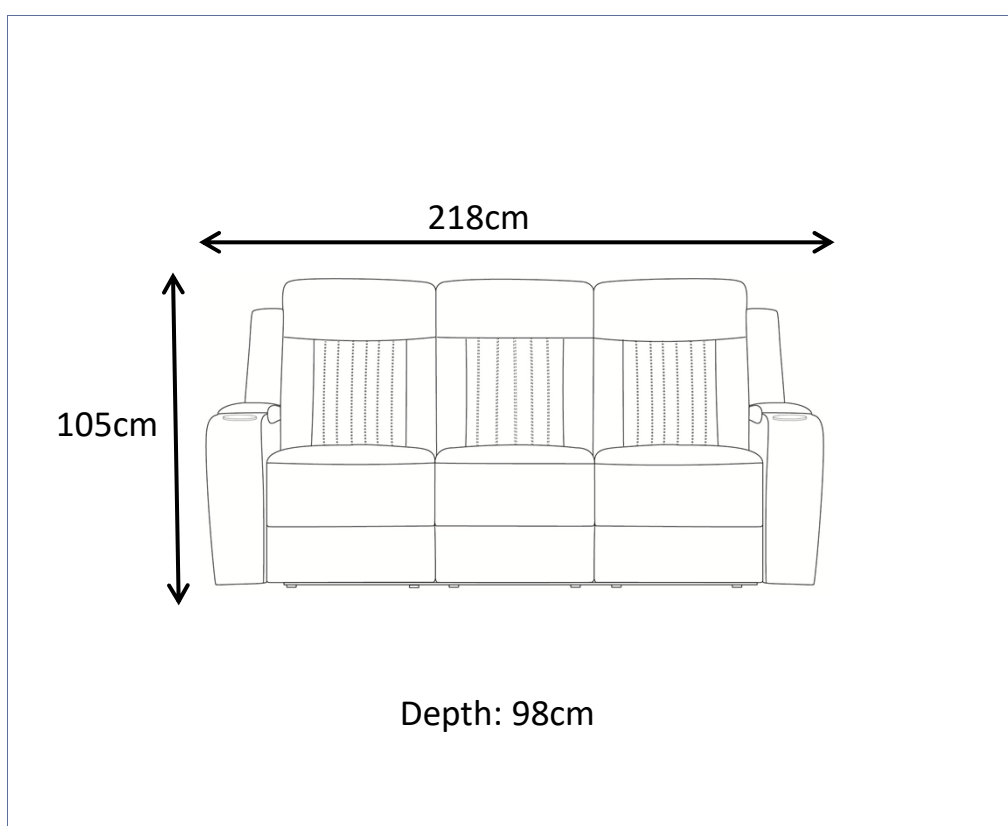
HERCULES 3 SEATER

ITEM CODE 66097

Imported by Amart Furniture Pty Ltd, Qld, Brisbane Australia.

For any assistance with assembly or for missing parts please phone

Amart Furniture, Customer Service Free call 1800 351 084



Imported by Amart Furniture Pty Ltd, Qld, Brisbane Australia.



For any assistance with assembly or for missing parts please phone

Amart Furniture, Customer Service Free call 1800 351 084

PRE-ASSEMBLY PREPARATION

Before you start:

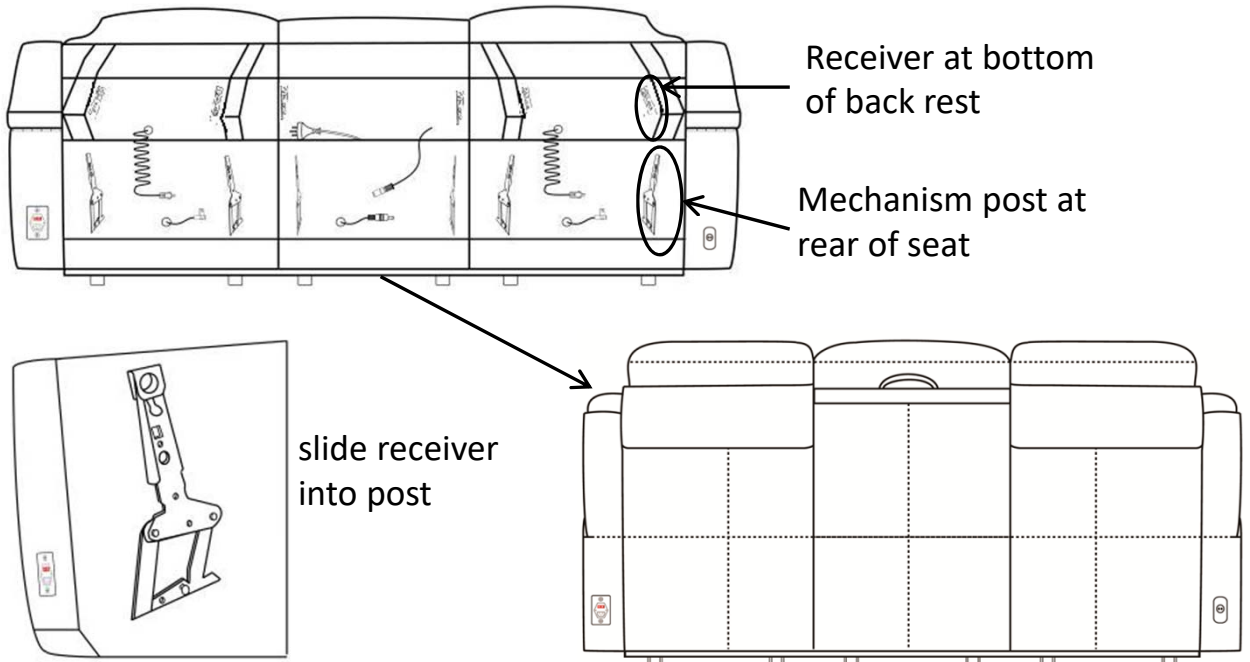
1. Choose a clean, level, spacious assembly area. Avoid hard surfaces that may damage the product
2. Take care when lifting. Product should be assembled as near as possible to the point of use
3. Ensure that you have all required contents for complete assembly
4. Always read the assembly instructions carefully before beginning assembly.
5. Keep all hardware parts and packaging out of reach of small children.
6. Do not over tighten the screws and bolts as this may damage the threads

| | |
|--|--|
|  |  |
| ALLOW 15MINUTES | PEOPLE REQUIRED |
| ADDITIONAL TOOLS REQUIRED | |

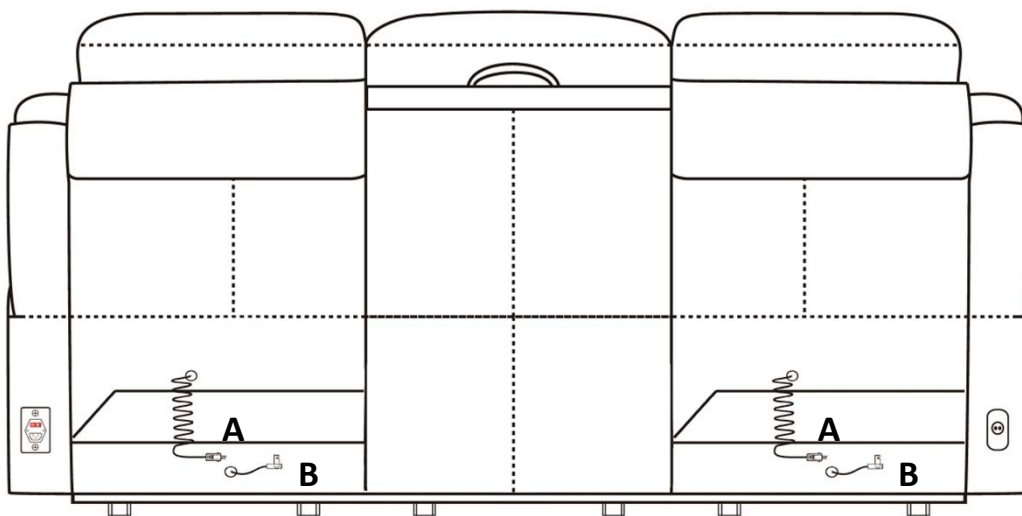
WARNING

Do Not allow children to play on this mechanised furniture or operate the mechanism. Leg rest folds down on closing so that a child could possibly be injured. Always leave in an upright and closed position. Keep hands and feet clear of mechanism. Only the occupant should operate it.

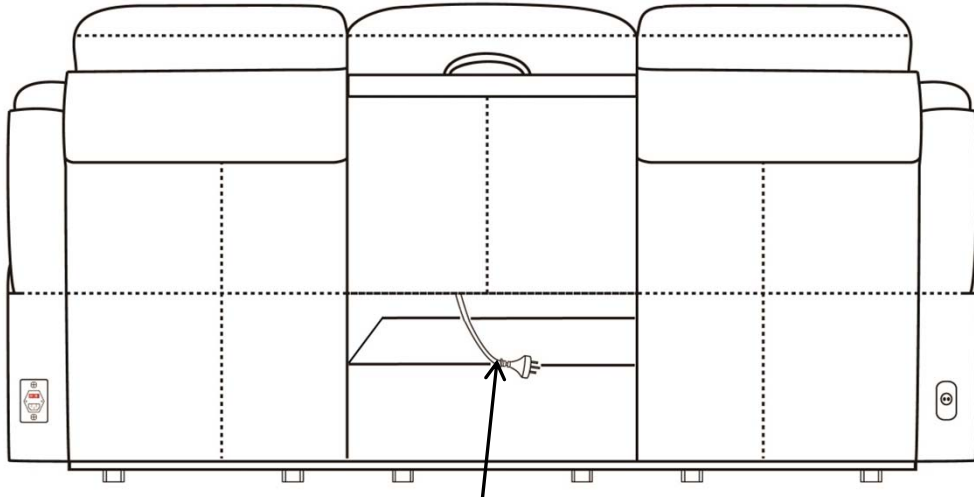
Step1: Keep back rest in upright position, then slide receivers into steel mechanism posts at the seat of furniture, and press both sides of the back firmly into place to ensure fully locked.



Step2: Connect the cords "A" and "B" on both ends of 3-seater to connect power for recliners. One cord comes from the seater back rest and the other from the seater seat.

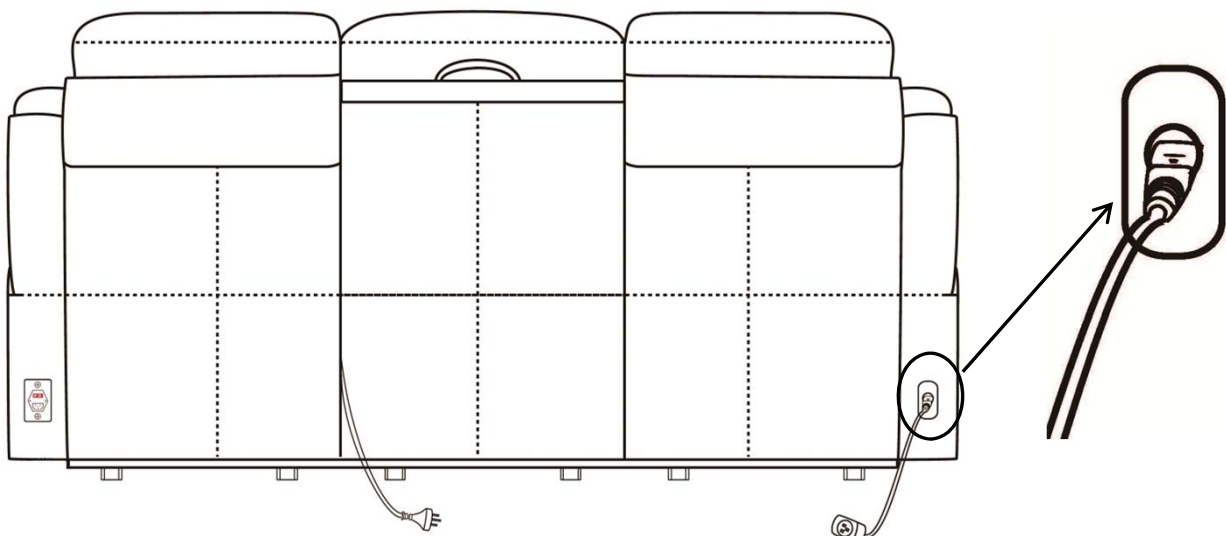


Step3: Unravel the cord 'C' with a power plug on the end of it. The cord is from the middle back rest and can then be plugged into a wall socket to connect power for charge station on the console.



Cord 'C' of charge station plugged into wall socket

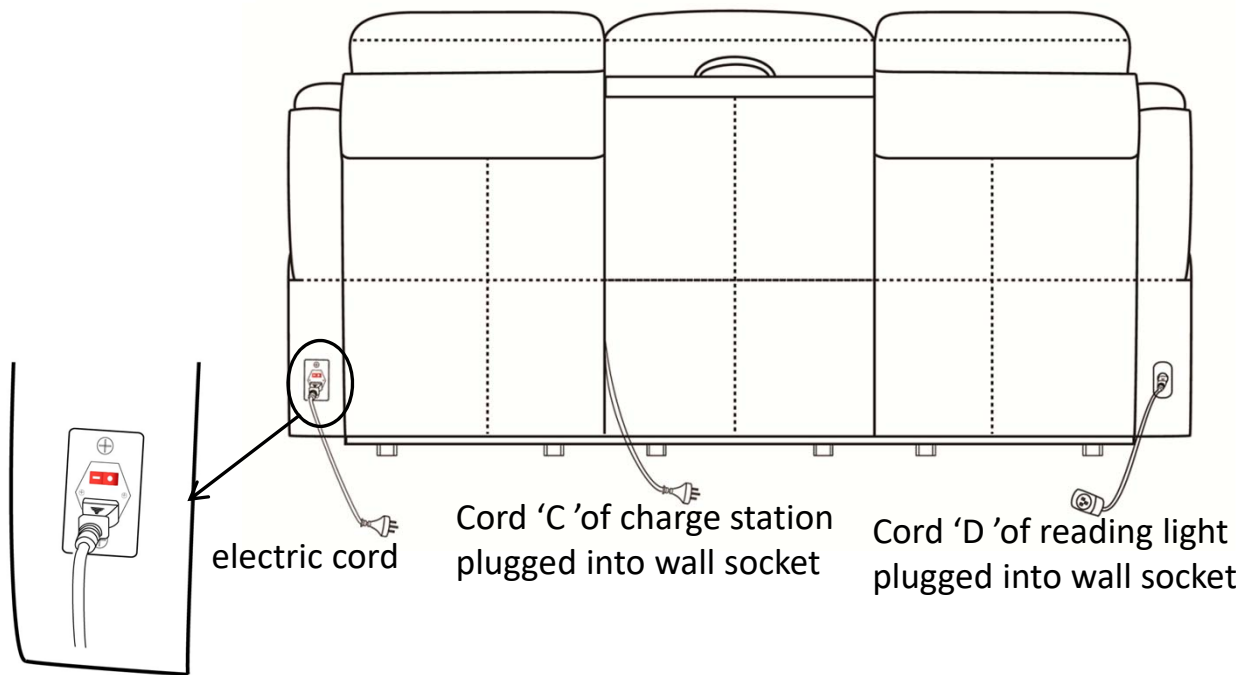
Step4: Plug the cord 'D' with a power plug on the end of it, into socket at back panel of arm.



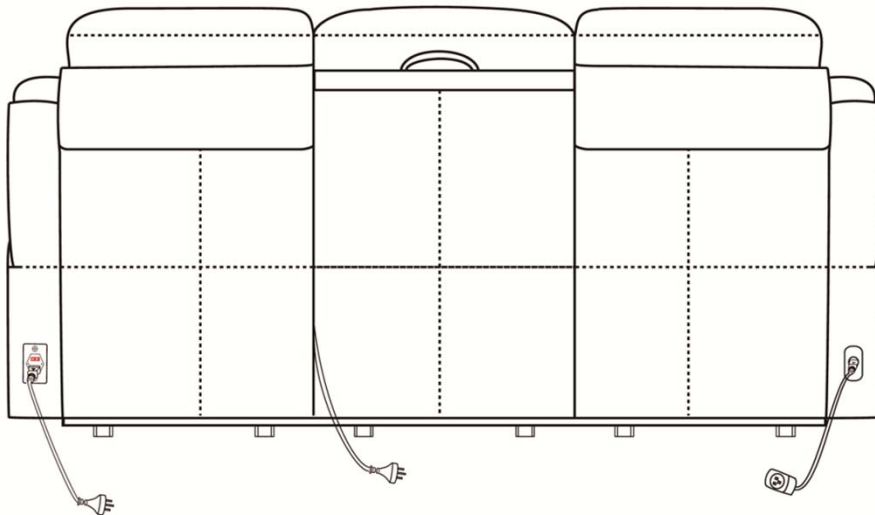
Cord 'C' of charge station plugged into wall socket

Cord 'D' of reading light plugged into wall socket

Step5: Plug electric cord into socket at back panel of arm.



ASSEMBLY IS COMPLETE



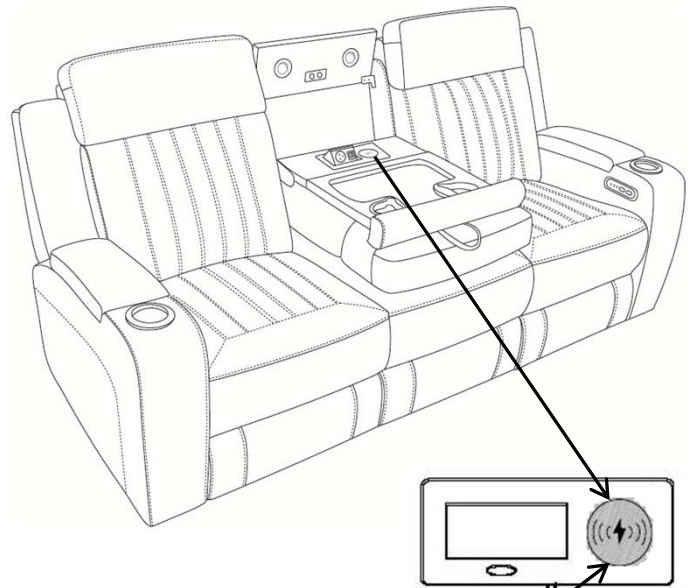
SAFETY NOTE:

PLEASE ENSURE THAT ALL ELECTRICAL CORDS AND CABLES ARE CLEAR OF THE FRAME AND MECHANISM. A FAILURE TO DO SO MAY SEVER YOUR POWER CORD RESULTING IN SERIOUS INJURY OR DEATH.

Instruction On Wireless Charging Point At Charge Station Of Drop-Down Console

- Only one cell phone can be charged at a time.
- Here are the model numbers of applicable cell phone.

| Brand | Model Number | Power (for reference) |
|----------------------------|-----------------------------|-----------------------|
| Apple | iPhone 8 | 7.5W |
| | iPhone 8 Plus | |
| | iPhone X | |
| | iPhone XS | |
| HUAWEI | Mate RS (Porsche design) | 10W |
| | Mate 20 Pro | 15W |
| | Mate 20 RS (Porsche design) | 15W |
| SAMSUNG | Note 5 | 10W |
| | Note 7 | |
| | Note FE | |
| | Note 8 | |
| | Note 9 | |
| | S6 | |
| | S6 Edge+ | |
| | S6 Active | |
| | S7 | |
| | S7 Edge | |
| | S7 Active | |
| | S8 | |
| | S8+ | |
| | S8 Active | |
| | S9 | |
| | S9+ | |
| | W2017 (SM-W2017) | |
| Kelly (SM-W2018) | | |
| Galaxy S Lite (SM-G8750) | | |
| SM-G9298 | | |
| SONY | Xperia Z3v (D6708) | 7.5W |
| | Xperia XZ2 | 9W |
| | Xperia XZ2 Premium | |
| | Xperia XZ3 | |
| Xiaomi | MIX 2S | 7.5W |
| | MIX 3 | 10W |



Wireless Charging Point

READ THESE INSTRUCTIONS THOROUGHLY BEFORE USE:

DANGER: TO REDUCE THE RISK OF ELECTRIC SHOCK:

Always unplug from electric outlet before cleaning.

WARNING: RISK OF INJURY

Keep children away from extended footrest and any moving parts.

CAUTION: Do not allow children to play on this electric recliner or operate the powered mechanism. The leg rest folds when closing and could possibly cause injury to a child. Always leave the recliner in an upright and closed position when not in use. Keep hands and feet clear of mechanism. Only the occupant should operate it.

POWER CORD SAFETY

WARNING: Unplug and remove power cord from wall when not in use and store out of reach of children.

Take care when moving recliner that wall and transformer cords are not under the base or they may get damaged.

- NEVER OPERATE ELECTRIC RECLINER IF IT HAS A DAMAGED CORD OR PLUG.

WARNING: TO REDUCE RISK OF BURNS, FIRE, ELECTRIC SHOCK OR PERSONAL INJURY TO PERSONS:

- Use only for its intended purpose
- Never press or activate control switch if you are not seated in recliner
- Only the occupant should activate the control switch
- Never operate with more than one person occupying seat
- Never sit or stand on the footrest

CARE AND MAINTENANCE

FABRIC CARE

REGULAR CARE: PROTECT FROM DIRECT SUNLIGHT.
VACUUM REGULARLY USING LOW SUCTION.
ROTATE REVERSIBLE CUSHIONS REGULARLY.

CLEANING:

DO NOT REMOVE CUSHION COVERS FOR SEPARATE
CLEANING EVEN THOUGH THEY HAVE ZIPPERS.

DO NOT WASH

DO NOT DRY CLEAN

DO NOT SHAMPOO CLEAN

CLEAN WITH HOT-WATER EXTRACTION MACHINE.

(HOT) PROFESSIONAL CLEANING RECOMMENDED

DO NOT USE DISHWASHING OR LAUNDRY

DETERGENTS

USE ONLY UPHOLSTERY DETERGENTS

DO NOT WET FILLING

DRY IN SHADE AWAY FROM DIRECT HEAT AND

SUNLIGHT

ALLOW TO DRY THOROUGHLY BEFORE RE-USE

SPOT CLEANING:

DO NOT RUB

DO NOT SPOT CLEAN WITH ANY SOLVENT.

TREAT SPILLS AND STAINS AS SOON AS POSSIBLE.

GENTLY SCRAPE ANY SOIL OR MOP ANY LIQUID
FROM THE SURFACE OF THE FABRIC.

APPLY PROPRIETARY CLEANING AGENTS STRICTLY
ACCORDING TO INSTRUCTIONS TO REMOVE THE
RESIDUE OF THE SPILL.

DO NOT SATURATE THE FABRIC OR INTERIOR WITH
WATER OR OTHER CLEANING LIQUIDS.

WARNING: APPLY ONLY WATER-BASED SOIL RESIST
(FABRIC PROTECTION) TREATMENTS. DO NOT USE
AEROSOL PRODUCTS.